



TheToolingCompany

Spannzeuge HSK63 - F / E

Clamping Elements HSK63 - F / E

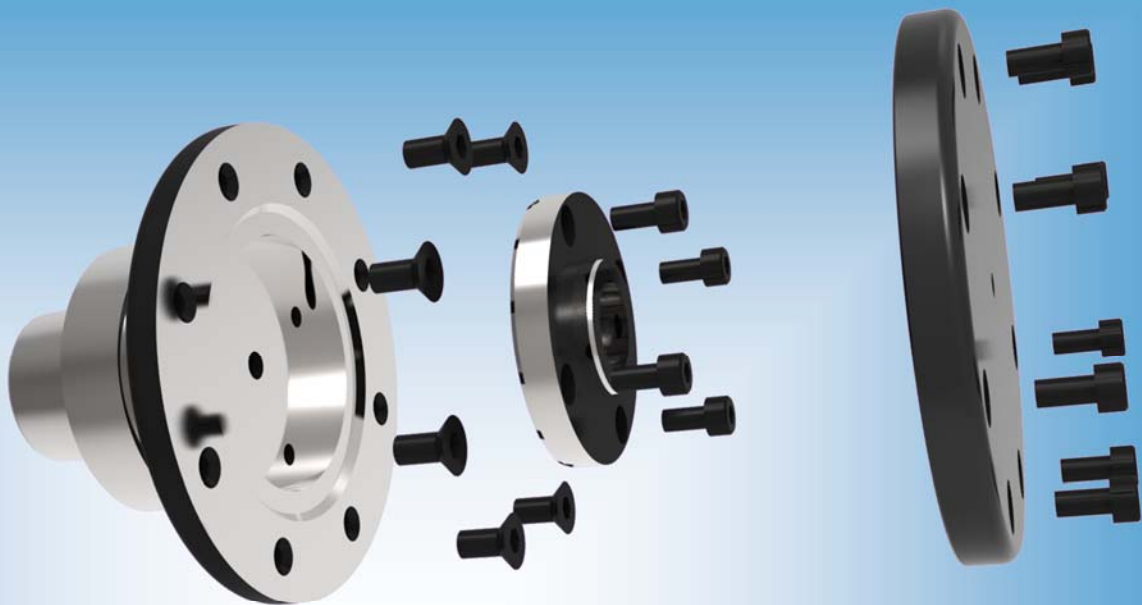
Outils de Serrage HSK63 - F / E

T-Tool USA LLC
2850 Glades Circle
Suite 11
Weston, FL 33327

P: 954-358-6071
F: 954-358-6073
www.t-toolusa.com

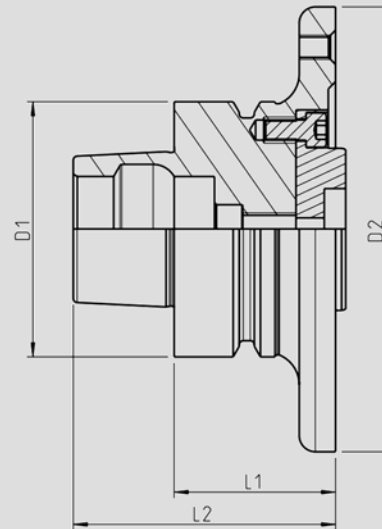
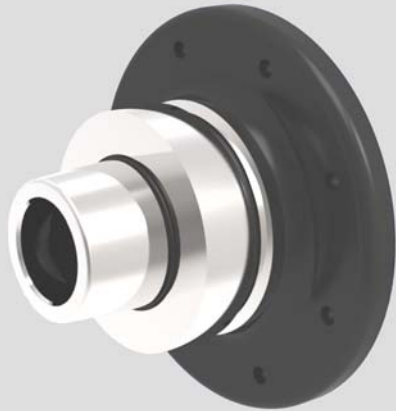
Modular

TOOL HOLDER FOR SAW BLADES



**Construction, Production and Distribution
All from one Source**

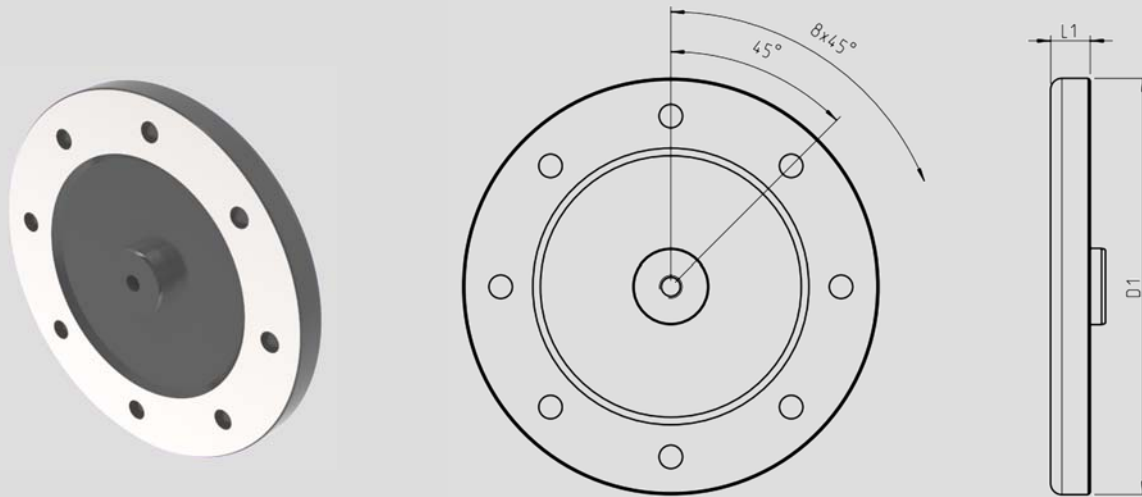
• hardened and ground



D ₁	D ₂	L ₁	L ₂	Part Number
HSK 63-F	85	40	65	SBA.HSK63F0400085
	85	65	90	SBA.HSK63F0650085
	85	120	145	SBA.HSK63F1200085
HSK 63-E	85	40	72	SBA.HSK63E0400085
	85	65	97	SBA.HSK63E0650085
	85	120	152	SBA.HSK63E1200085
HSK 63-F	110	40	65	SBA.HSK63F0400110
	110	65	90	SBA.HSK63F0650110
	110	120	145	SBA.HSK63F1200110
	110	160	185	SBA.HSK63F1600110
HSK 63-E	110	40	72	SBA.HSK63E0400110
	110	65	97	SBA.HSK63E0650110
	110	120	152	SBA.HSK63E1200110
	110	160	192	SBA.HSK63E1600110

Delivery condition: includes tightening screws

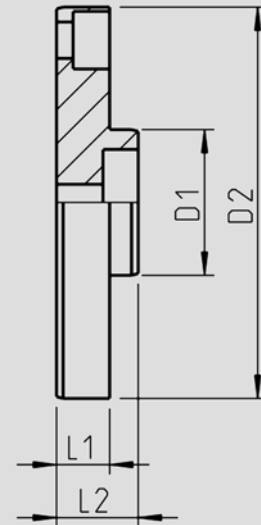
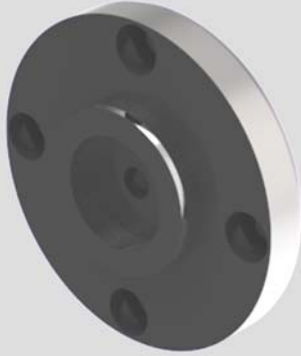
· hardened and ground



d_1	L_1	Part Number
85	10	SBA.HSK63FE010085
110	10	SBA.HSK63FE010110

Delivery condition: includes tightening screws

· hardened and ground



Tool holder size	D ₁	D ₂	L ₁	L ₂	Part Number
Ø85	30.00	49	8	12	SBAD.HSK63FE0300085
Ø85	31.75	49	8	12	SBAD.HSK63FE0317585
Ø85	32.00	49	8	12	SBAD.HSK63FE0320085
Ø85	35.00	49	8	12	SBAD.HSK63FE0350085
Ø85	40,00	49	8	12	SBAD.HSK63FE0400085
Ø110	30.00	59	8	12	SBAD.HSK63FE030000
Ø110	31.75	59	8	12	SBAD.HSK63FE03175
Ø110	32.00	59	8	12	SBAD.HSK63FE03200
Ø110	35.00	59	8	12	SBAD.HSK63FE03500
Ø110	40,00	59	8	12	SBAD.HSK63FE04000

Delivery condition: including tightening screws

Description	DIN / ISO	Size	Part Number
Flathead Allen screw	7911-010.9	M6x12	SCH.SK06012

Tightening screws for sawblade

Description	DIN / ISO	Size	Part Number
Allen head screw	DIN912(ISO4762)-8.8	M6x20	SCH.ZY06020

Tightening screws for detachable flange

Description	DIN / ISO	Size	Part Number
Allen head screw	912(ISO4762)-12.9	M5x12	SCH.ZY05012

Tightening screws for bore adapter



TheToolingCompany

T-Tool USA LLC
2850 Glades Circle, Suite 11
Weston, FL 33327 USA
PH: 954-358-6071 / FX: 954-358-6073
www.t-toolusa.com

