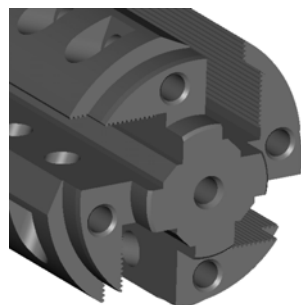




TheToolingCompany

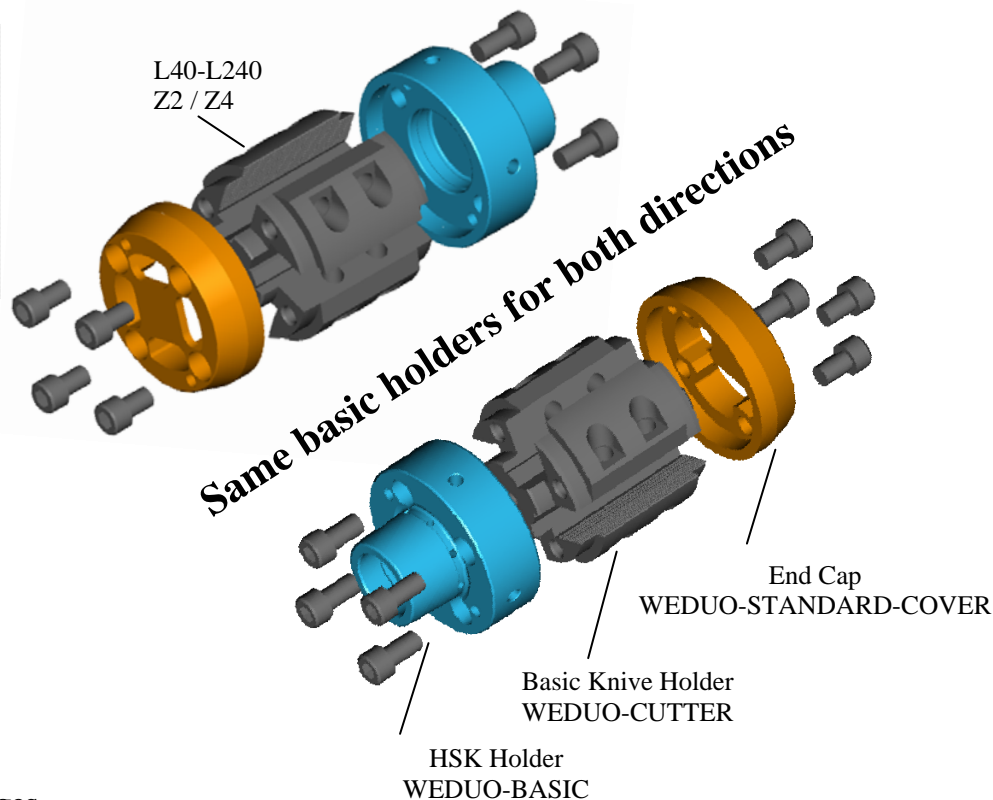
T-Tool USA, LLC
2850 Glades Circle #11
Weston, FL 33327

Phone: 954-358-6071
Fax: 954-358-6071
E-Mail: sales@t-toolusa.com
Homepage: www.t-toolusa.com



WEINIG POWERLOCK CORRUGATED CUTTERHEAD SYSTEM

MODULAR ADAPTER SYSTEM



Modular System Advantages

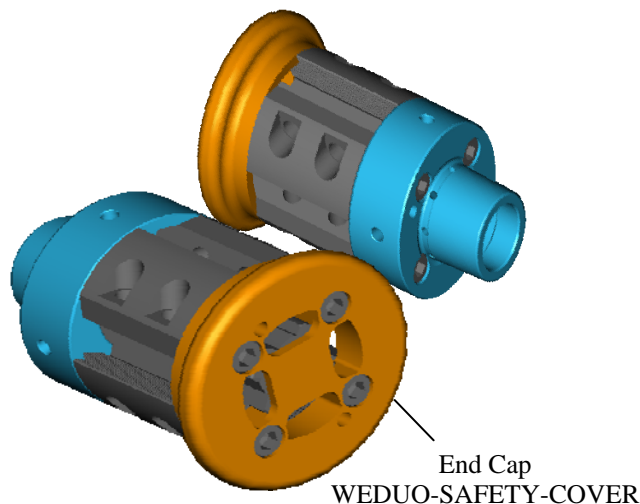
The NEW flexible WEDUO modular system from T-Tool allows the user to simplify their tooling by using the same HSK taper modular holder, WEDUO-BASIC, to run the tool in both directions by simply turning the basic knife holder WEDUO CUTTER around.

This flexibility saves the user on tooling costs and offers unique flexible solutions for those who even want to machine their own blanks or cutterheads. T-Tool will provide all technical information for those who want to produce their own tooling but do not have the capability to hold the HSK-Taper.

The new WEDUO Modular System does not only allow for quick tool changes but also a simple assembly and disassembly for easy cleaning of the cutterhead.

Both a standard and safety endcap cover are offered. The WEDUO Safety Cover allows the operator easy installation and removal from the machine.

For more information please contact us today!



WEDUO Safety Cover

The WEDUO Safety Cover offers a safe and easy installation and removal of the cutterhead from the machine due to the unique hand friendly design, it makes picking up the tool a snap.

Both covers are completely interchangeable.

CONSTRUCTION, PRODUCTION AND
DISTRIBUTION

ALL FROM ONE SOURCE