



TheToolingCompany

# Modular Sawblade Holder

## HSK - 63 F/E

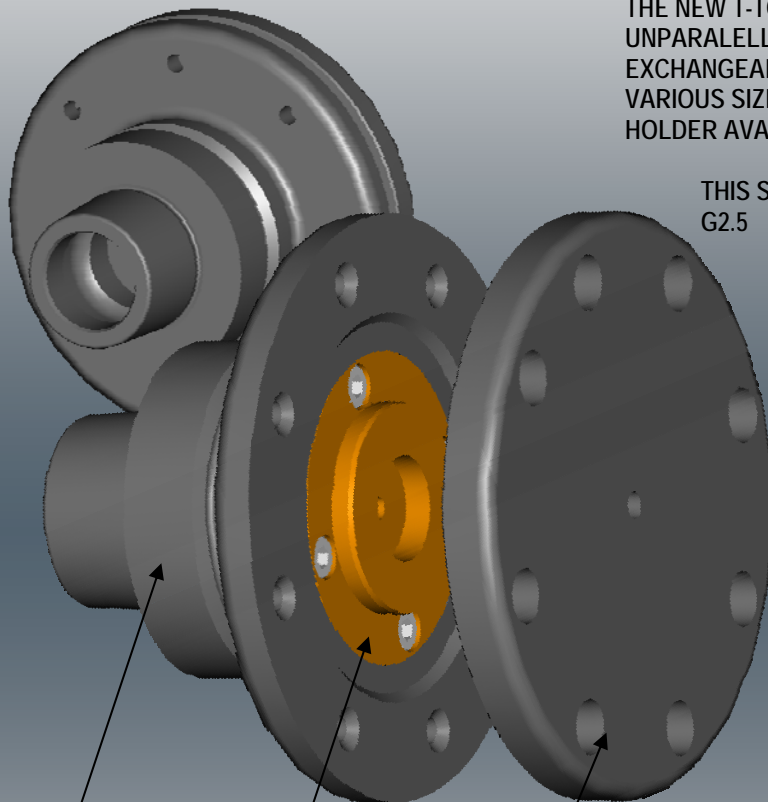
*NEW*

THE NEW T-TOOL MODULAR SAWBLADE HOLDER OFFERS UNPARALLELED FLEXIBILITY BY THE INTEGRATION OF EXCHANGEABLE BORE SIZE ADAPTERS FOR USE WITH VARIOUS SIZED SAWBLADES THAT CAN BE MOUNTED ON THE SAME BASE HOLDER AVAILABLE IN HSK-63F OR HSK-63E.

THIS SAWBLADE TOOL SYSTEM IS BALANCED UP TO 24,000RPM @ G2.5

EVERY SAWBLADE HOLDER WILL BE DELIVERED WITH A DATASHEET FOR THE PROPER MOUNTING POINTS (TK) AND BORE DIAMETER DIMENSIONS.

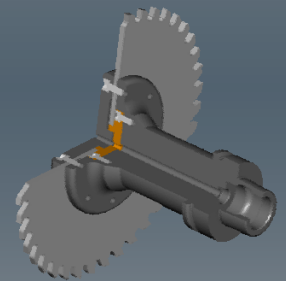
ASK FOR A QUOTATION TODAY!



BASIC HOLDER  
HSK63 - F / E

BORE ADAPTER

OUTER FLANGE



### BORE ADAPTER SIZES

- Ø 30
- Ø 31.75 (1 1/4")
- Ø 32
- Ø 35
- Ø 40

### PART NUMBERS      A Length

BASE HOLDER	SBA.HSK63F0400110	A=40mm
	SBA.HSK63E0400110	A=40mm
	SBA.HSK63F1200110	A=120mm
	SBA.HSK63E1200110	A=120mm
	SBA.HSK63F1600110	A=160mm
	SBA.HSK63E1600110	A=160mm
OUTER FLANGE	SBAF.HSK63FE010110	
BORE ADAPTER	SBAD.HSK63FE03000	Ø30
	SBAD.HSK63FE03175	Ø31.75
	SBAD.HSK63FE03200	Ø32
	SBAD.HSK63FE03500	Ø35
	SBAD.HSK63FE04000	Ø40