

Official dealer for USA



T-Tool USA LLC
2850 Glades Circle
Suite 15
Weston, FL 33327

Phone number: 954-358-6071
Fax number: 954-358-6073
E-Mail: sales@t-toolusa.com
Web: www.t-toolusa.com

pat. pending

NEW  zeta[®]
WOODLINE

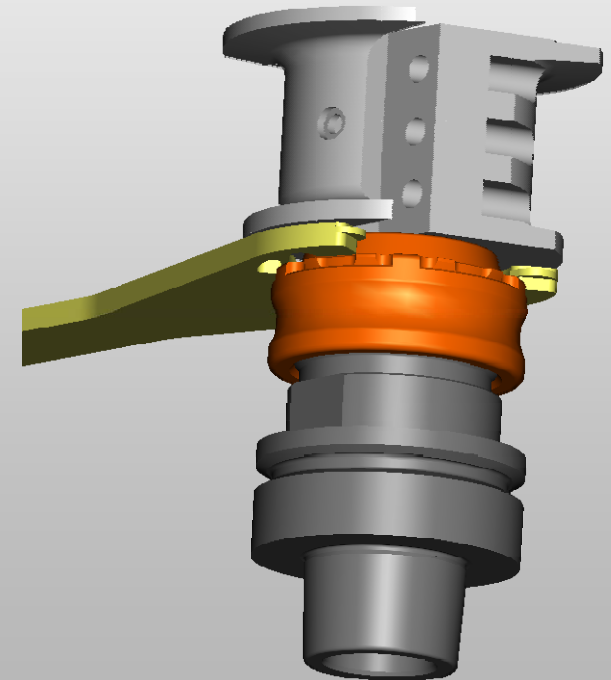
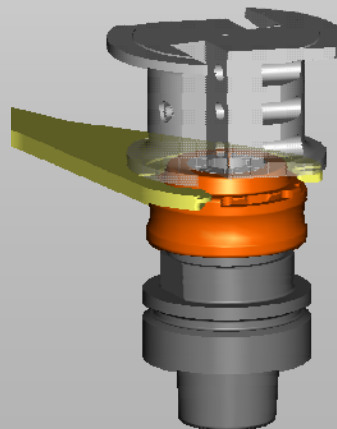
Designed by engineers
for practical machinists

Great Advantages:

- All woodline collet nuts are coated with a brand new power-coating surface which gives a great benefit of low friction and high torque clamping. 60% more clamping power than most other collet nut systems.
- No coating dust in the collet slots like most other power coated collet nut systems.
- 100% corrosion sealed surface.
- Perfectly balanced nuts.
- High performance ergonomic design.
- Low turbulence due to unique design.
- 100% compatible for any brand toolholder, upgrade your current toolholders.

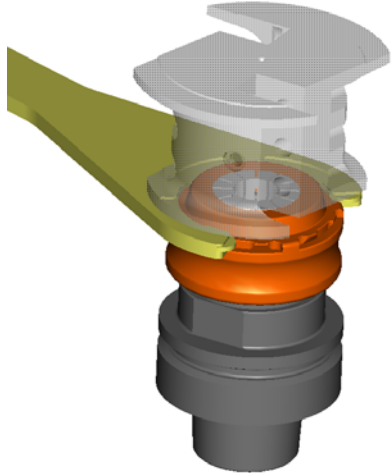
**DESIGNED BY ENGINEERS
FOR
PRACTICAL MACHINISTS**

**CONSTRUCTION, PRODUCTION
AND DISTRIBUTION
-
ALL FROM ONE SOURCE**



INNOVATION

The New Zeta-Woodline collet clamping system offers an optimized clamping situation for all variations of routerbits and cutterheads. If you have zero-tolerance between the top of the collet nut and the bottom of the cutterhead, this system is a must!



The smart engineering of the Zeta-Woodline profile gives the operator a secure and safe option to mount tooling from any position.

The nut also allows for use of torque wrench adapters.



Start position



Clamping position

SAFETY CLAMPING SYSTEM



ERSW- Zeta collet nut attached with E-SW Zeta spanner wrench



spanner wrench E-SW Zeta



torque- nut ECW- Zeta



ERSW- Zeta collet nut attached with ECW- Zeta to-adapter torque wrench



ERSW- Zeta collet nut attached with EW- Zeta to-adapter torque wrench



torque wrench adapter EW- Zeta

PLEASE CONNECT US

Woodline collet nut

ERSW- 40 Zeta DIN 6499
ERSW- 32 Zeta DIN 6499

Compatible with collet nuts ER40 and ER32 useable for collets ER40 and ER32 DIN6499



Woodline collet nut

OZW25- Zeta DIN 6388 compatible with RDO35 nut and RDO35 collets

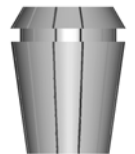


Woodline compact nut

OZW25COMP - Zeta DIN 6388 useable with RDO35 collets



compatible with RDO collets DIN 6388



compatible with ER collets DIN 6499