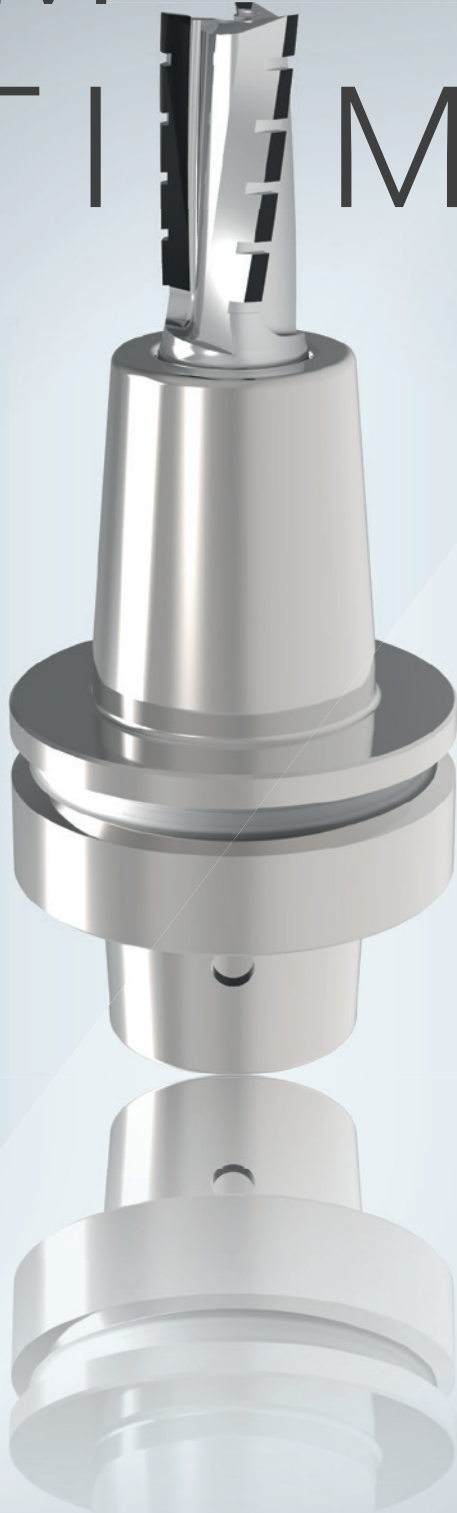


NEU IM

SORTIMENT

NEW PRODUCT



SCHRUMPFUTTER | SHRINK CHUCKS

HSK63F



MADE IN
GERMANY

T-Tool[®]
TheToolingCompany

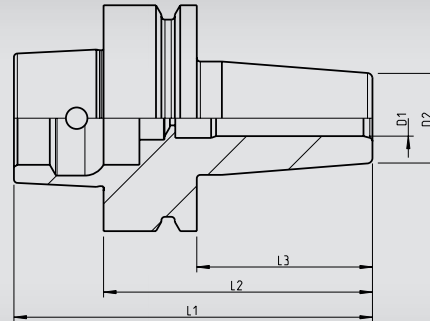
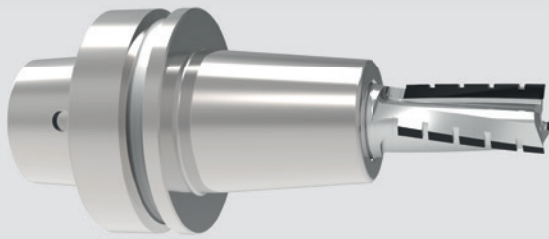
T-Tool USA • 2850 Glades Circle Ste 15 • Weston, FL 33327

☎ 954-358-6071

✉ sales@t-toolusa.com 🌐 www.t-toolusa.com

SCHRUMPFUTTER | SHRINK FIT HOLDERS

HSK 63-F / gehärtet, geschliffen und feingewuchtet / *Hardened, Ground, and Balanced*



Typ / Type	D1	D2	L1	L2	L3	Artikelnummer Part number
HSK63F	6	21	100	75	49	SHR.HSK63F075006
	8	21	100	75	49	SHR.HSK63F075008
	10	24	100	75	49	SHR.HSK63F075010
	12	24	100	75	49	SHR.HSK63F075012
	16	27	100	75	49	SHR.HSK63F075016
	20	33	100	75	49	SHR.HSK63F075020
	25	44	100	75	49	SHR.HSK63F075025