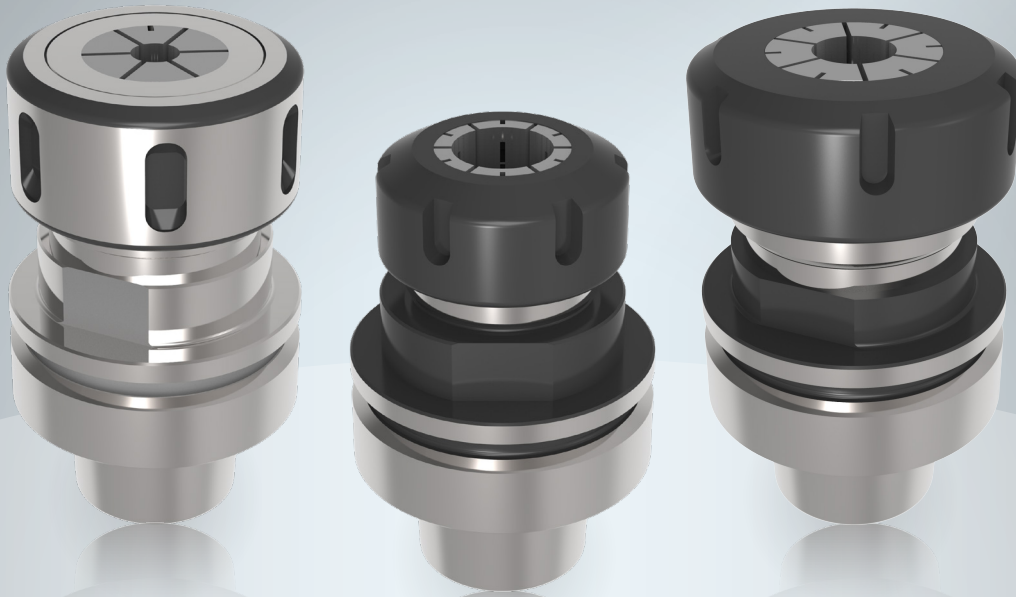


STANDARD SPANNZANGENFUTTER

STANDARD COLLET CHUCKS



Standard Spannanzangenfutter - HSK63F

nach DIN69893-6, in den Größen:

- ER32 (DIN6499, Spannbereich 3-20mm)
- ER40 (DIN6499, Spannbereich 4-26mm)
- OZ25 (DIN6388, Spannbereich 2-25mm)

Gehärtet und hartgedreht, gewuchtet, Linksausführung auf Anfrage.

Lieferumfang: ohne Spannanzange, mit kugellagerter Spannmutter.

Standard collet chucks - HSK63F

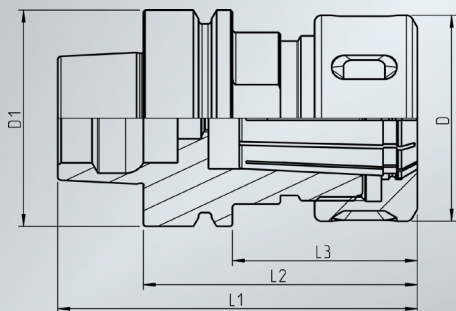
DIN69893-6, in several nominal sizes:

- ER32 (DIN6499, clamping range 3-20mm)
- ER40 (DIN6499, clamping range 4-26mm)
- OZ25 (DIN6388, clamping range 2-25mm)

Hardened, grinded & balanced, left threaded version on request.

Scope of delivery: without collet, ball bearing collet nut included.

Kegel Taper Size	Nenngröße nominal size	Spannbereich clamping range	D	D1	L1	L2	L3	Artikelnummer Part number
HSK63F	ER32	3-20mm	50mm	63mm	95mm	70mm	44mm	SPZHSK63F07032ERR
HSK63F	ER32	3-20mm	50mm	63mm	125mm	100mm	74mm	SPZHSK63F10032ERR
HSK63F	ER40	4-26mm	63mm	63mm	101mm	76mm	50mm	SPZHSK63F07640ERR
HSK63F	ER40	4-26mm	63mm	63mm	125mm	90mm	74mm	SPZHSK63F09040ERR
HSK63F	OZ25	2-25mm	60mm	63mm	101mm	76mm	50mm	SPZHSK63F07625OZR
HSK63F	OZ25	2-25mm	60mm	63mm	140mm	115mm	89mm	SPZHSK63F11525OZR



ALTERNATIVE CHUCKS: „SUPERSPEED“

ALSO TRY „SUPERSPEED“ - Collet chucks with internal ZETA safety-clamping system.



T-Tool[®]
TheToolingCompany

T-Tool USA - 2850 Glades Circle, Suite 15 - Weston, FL 33327

☎ 954-358-6071



www.t-toolusa.com